

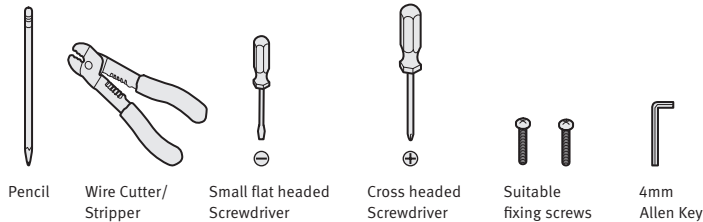
HermanMiller

Nelson Bubble Lamp Series



How to install your Nelson Bubble Lamp

Tools Required



Technical Specifications

Light source type: E27
Only use Compact fluorescent energy saving lamps.
Lamp and colour to be specified separately.

Electrical

Class: 1 (This product must be earthed)
Input Voltage (VAC): 220 - 240V
Input Frequency (Hz): 50/60 Hz
Power Consumption (W): All Pendants are individually marked

Environmental

Ingress Protection: IP20
Operating Temperature Range: +25°C
Storage Temperature Range: -10°C to +50°C
Humidity (non-condensing): 20-50% Non-condensing, dry locations only.

Physical Specifications

All Pendants vary in size and weight: *Typically
Small = *1.3kg; Medium = *2.2kg; Large = *3.1kg; Extra Large = *5.5kg

FOR INDOOR DRY LOCATION USE ONLY.

DO NOT COVER ANY PART OF THE LUMINAIRE.

LAMP IS HOT! WHEN TURNED OFF, ENSURE LAMP HAS COOLED BEFORE CHANGING.

INSTALLATION SHOULD BE PERFORMED BY SUITABLY QUALIFIED PERSONNEL ONLY.

IF THE LUMINAIRE IS DAMAGED, IT SHOULD BE REPLACED, OR REPAIRED BY THE MANUFACTURER OR THEIR SERVICE AGENT OR SIMILAR QUALIFIED PERSON IN ORDER TO AVOID ANY HAZARD.

**!!CAUTION!!
PLASTIC BAGS CAN BE DANGEROUS.
TO AVOID DANGER OF SUFFOCATION,
KEEP THIS BAG AWAY FROM BABIES AND CHILDREN.**

Parts Included

Bubble Lamp	x1
Ceiling Plate Kit	x1
Installation Guide	x1

Technical

Plastic polymer sprayed over a steel frame. Each Lamp is supplied with up to 183cm of cord (274cm for extra-large) and a brushed nickel ceiling plate.

Cleaning Instructions


The surface can be dusted with a soft dry cloth. To remove dirt or grease, use water with a mild soap and rub gently using a soft white cloth or paper towel.

Do not use solvent-based cleaners or glass cleaners on this product. Please ensure luminaire is turned off during cleaning.

Translations

For translated versions of this document please visit the following links:

UK. hermanmiller.co.uk/nelson-bubble-lamps
FR. hermanmiller.fr/nelson-bubble-lamps
DE. hermanmiller.de/nelson-bubble-lamps
IT. hermanmiller.it/nelson-bubble-lamps
NL. hermanmiller.nl/nelson-bubble-lamps

HermanMiller and  are among the registered trademarks of Herman Miller, Inc.
Printed in the US. Please recycle.
© 2016 Herman Miller, Inc.
All rights reserved.



BEFORE YOU BEGIN READ THESE INSTRUCTIONS COMPLETELY AND CAREFULLY.

THIS PRODUCT CAN BE MOUNTED WITHIN ARM'S REACH.

Save These Instructions

Use only in the manner intended by the manufacturer.
If you have any questions, contact the manufacturer.

Installation Pre-check

Ensure that the ceiling type and fixings are suitable for the weight of the luminaire and if necessary attach the luminaire to ceiling structural members.

Ensure the ambient in which the luminaire is to be operated will not exceed the maximum luminaire rating.

Ensure the environment is a dry location.

RISK OF ELECTRICAL SHOCK!

Do not operate luminaire with damaged parts.

Turn power off before inspection, installation or removal.

Turn power off when changing lamp.

Warranty VOID if serviced.

Ceiling Plate Kit Installation

Step 1

Carefully unpack the fixing plate kit.

Step 2

Remove the cord grip (J) and ceiling cup cover (H).

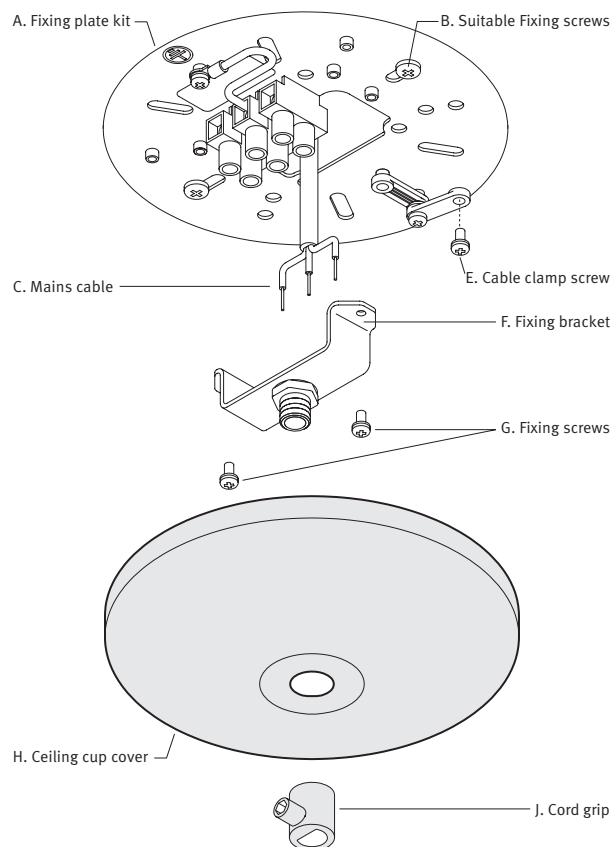
Step 3

Offer up the fixing plate kit (A) onto the desired location and mark out the most suitable mounting positions then carry out all necessary preparation work.

Step 4

Offer up the fixing plate kit into position ensuring that the mains cable (C) is positioned through the central hole of the plate with a suitable length visible.

Ceiling Plate Kit



Step 5

Carefully fix the bracket to the ceiling using suitable fixing screws (B) ensuring it is neat, tidy and securely fixed and that no cables have been trapped or damaged.

Step 6

Using a screwdriver remove the fixing screws (G) and fixing bracket (F) and keep all parts safe.

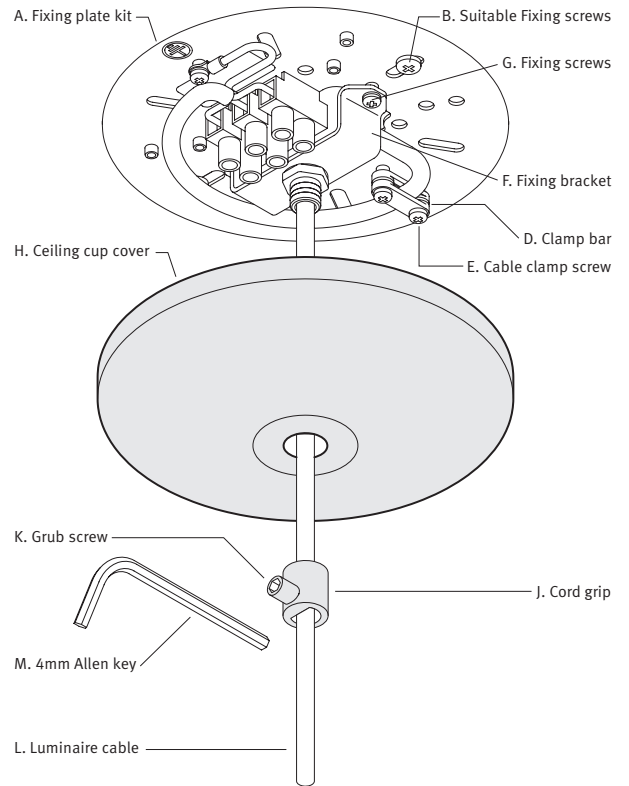
Remove one of the cable clamp screws (E) and keep safe.

ELECTRICAL TERMINATION TO BE CARRIED OUT BY QUALIFIED ELECTRICIAN.

MAINS SUPPLY: SUBJECT TO LOCAL AUTHORITY REGULATIONS.

THIS PRODUCT REQUIRES AN EARTH.

Luminaire Wiring Installation



Step 7

Carefully unpack the luminaire.

Step 8

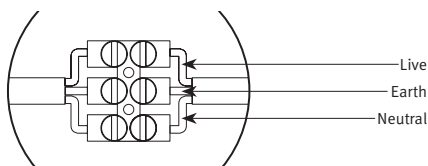
Thread the cord grip (J), ceiling cup (H) and fixing bracket (F) onto the luminaire cable (L) ensuring that the orientation of these parts are as illustrated above.

Step 9

Using wire cutter cut the luminaire cable to the desired length but allow extra cable (approximately 300mm) to enable termination within the ceiling cup. Trim and strip cable to reveal the live, neutral and earth conductors.

Step 10

If necessary trim the mains cable to reveal the live, neutral and earth conductors. Insert the luminaire cable and the mains cable into the terminal block making sure that all conductors are in into the correct position as shown on the label and all strands are fully inserted with the screws firmly fastened.



Step 11

Using a screwdriver reposition the fixing bracket (F) and fixing screws (G).

Step 12

Loop the cable around and underneath the white clamp bar (D) so that it is neat and tidy, then securely fix the cable clamp screw (E) back in to position ensuring that no cables have been trapped or damaged.

Step 13

Offer up the ceiling cup cover (H) to the ceiling and hold into position using the cord grip, making sure that the thread is fully engaged and tight.

Step 14

Securely fix the grub screw (K) using a 4mm Allen key (M) into position, making sure that the thread is fully engaged and holds the cable tight.

Please ensure that the grub screw is no tighter than 0.5Nm

Step 15

Insert the correct lamp as indicated on shade and return power to the circuit.